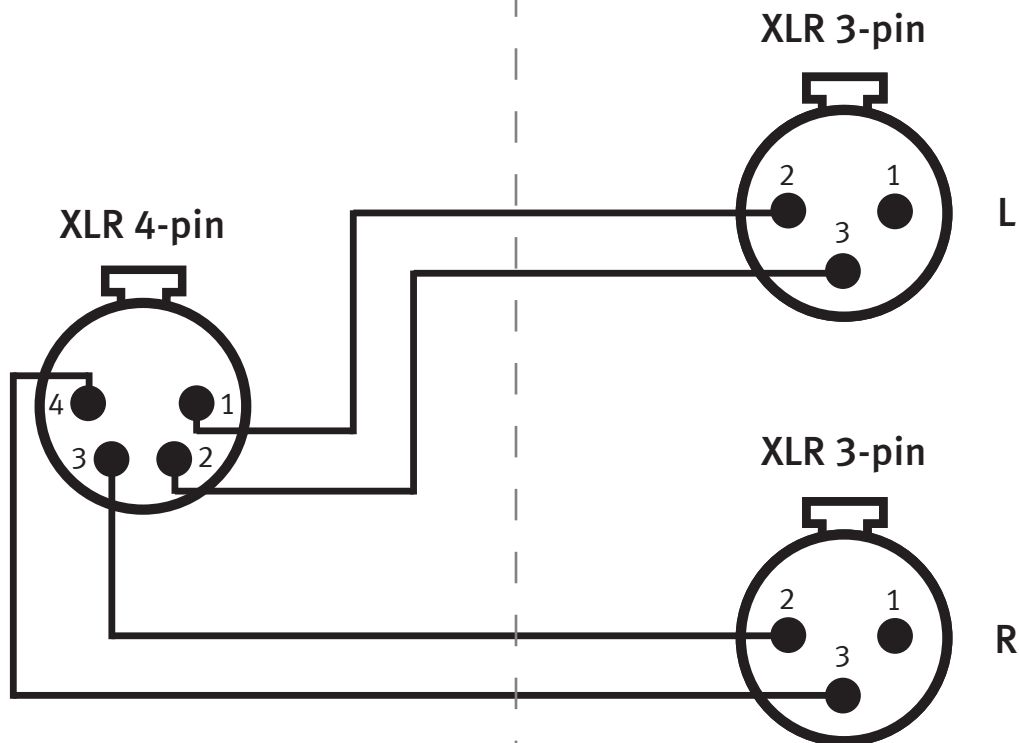
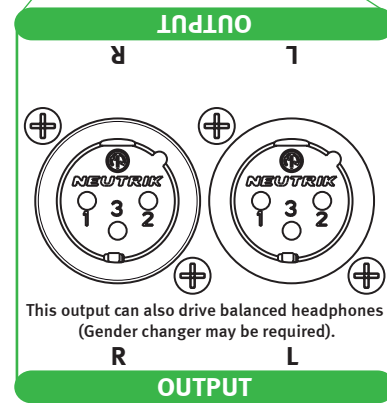
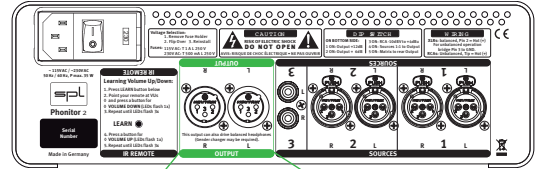


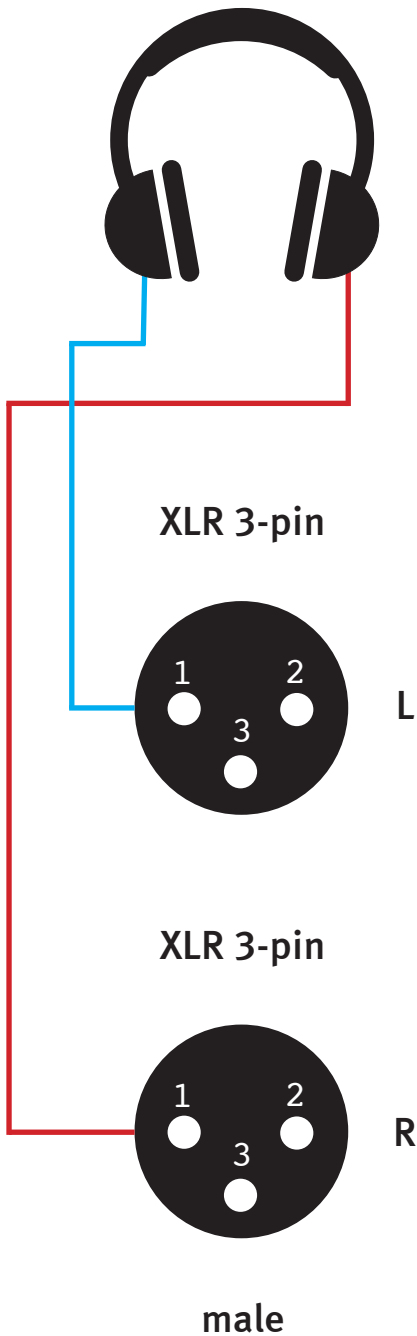
You can use this adapter cable to connect **balanced headphones** with a **4-pin XLR plug** to the **Phonitor2**.

XLR 4-pin (female) to 2 x XLR 3-pin (female)

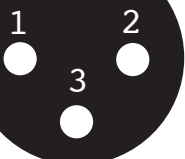


Do not short pin 3 to ground (pin 1)

Balanced headphones with two 3-pin XLR plugs can be connected to the Phonitor2 with two female/female gender changers.

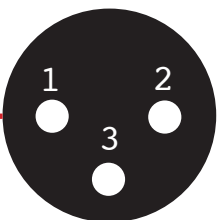


XLR 3-pin



L

XLR 3-pin



R

male



female/female
gender changer

