
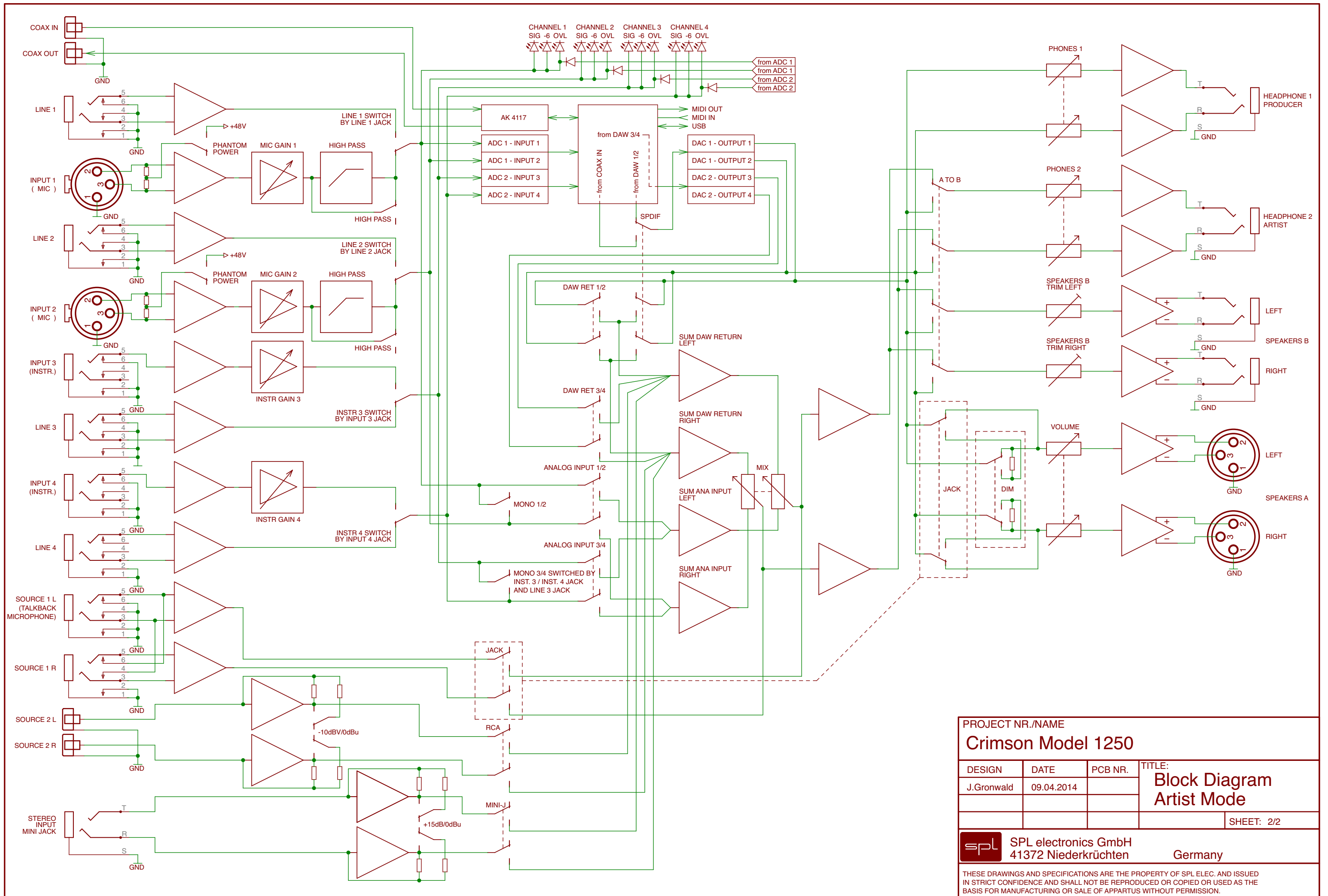



PROJECT NR./NAME			
Crimson Model 1250			
DESIGN	DATE	PCB NR.	TITLE:
J.Gronwald	09.04.2014		Block Diagram
			SHEET: 1/2
		SPL electronics GmbH 41372 Niederkrüchten Germany	

THESE DRAWINGS AND SPECIFICATIONS ARE THE PROPERTY OF SPL ELEC. AND ISSUED IN STRICT CONFIDENCE AND SHALL NOT BE REPRODUCED OR COPIED OR USED AS THE BASIS FOR MANUFACTURING OR SALE OF APPARTUS WITHOUT PERMISSION.



PROJECT NR./NAME			
Crimson Model 1250			
DESIGN	DATE	PCB NR.	TITLE:
J.Gronwald	09.04.2014		Block Diagram Artist Mode
			SHEET: 2/2
		SPL electronics GmbH 41372 Niederkrüchten Germany	
<small>THESE DRAWINGS AND SPECIFICATIONS ARE THE PROPERTY OF SPL ELEC. AND ISSUED IN STRICT CONFIDENCE AND SHALL NOT BE REPRODUCED OR COPIED OR USED AS THE BASIS FOR MANUFACTURING OR SALE OF APPARTUS WITHOUT PERMISSION.</small>			